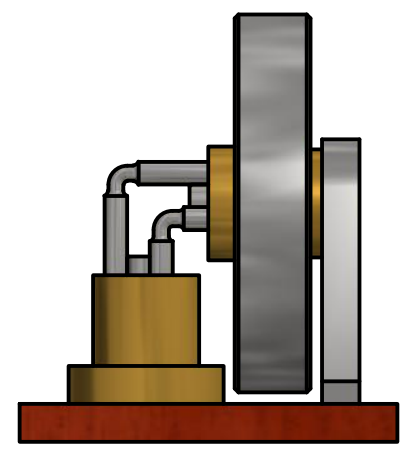
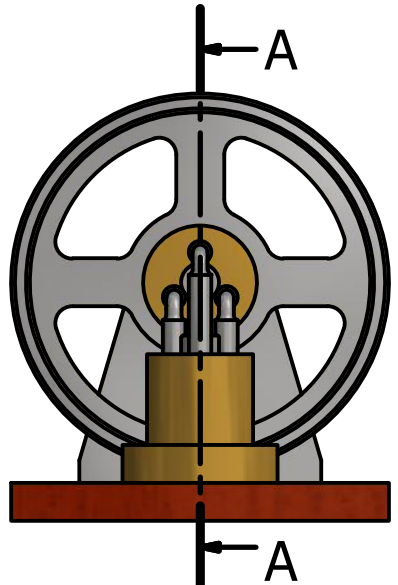
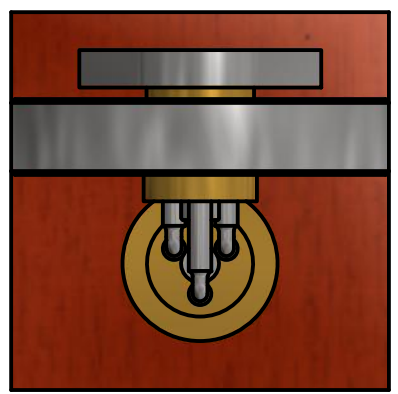
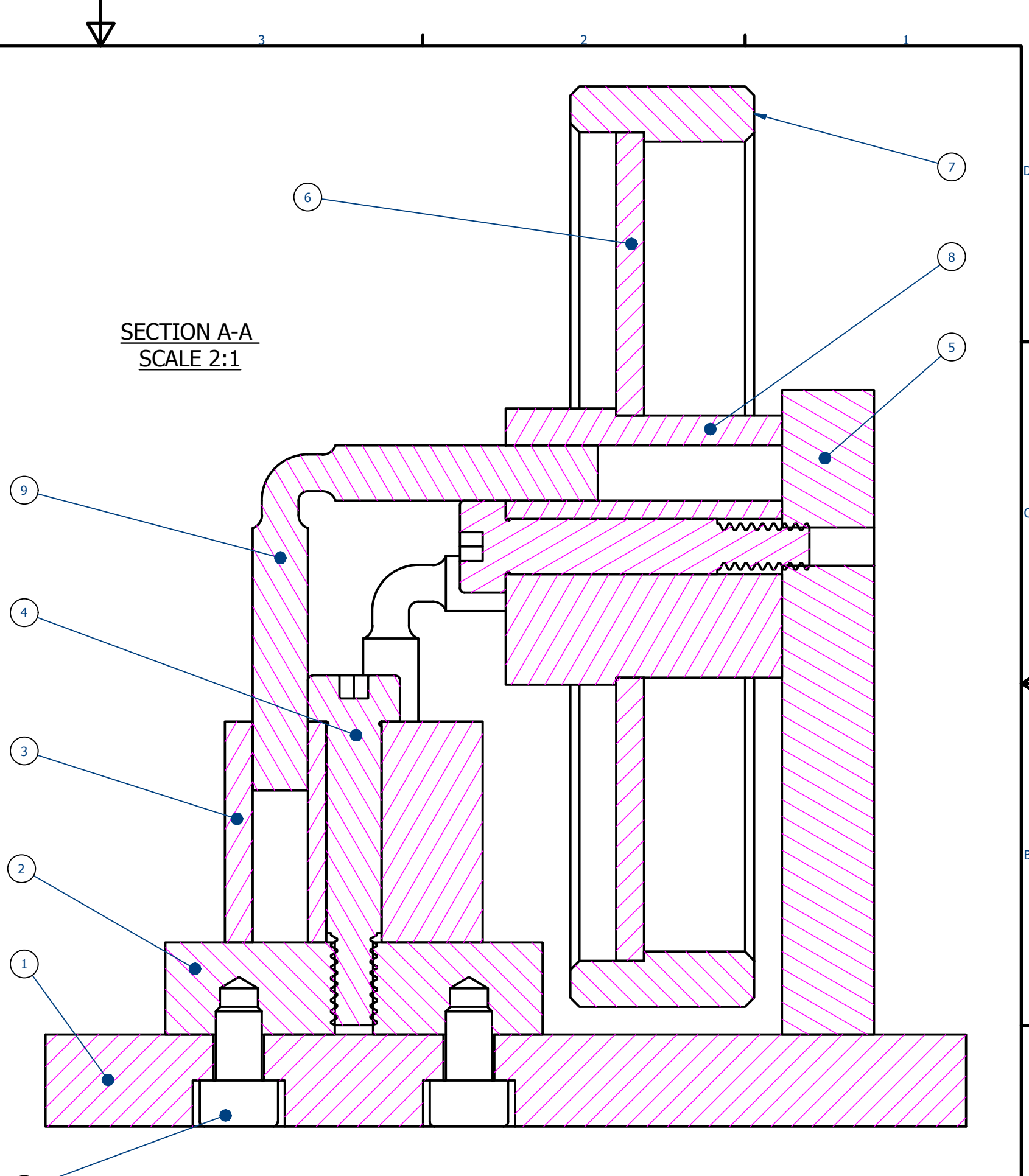
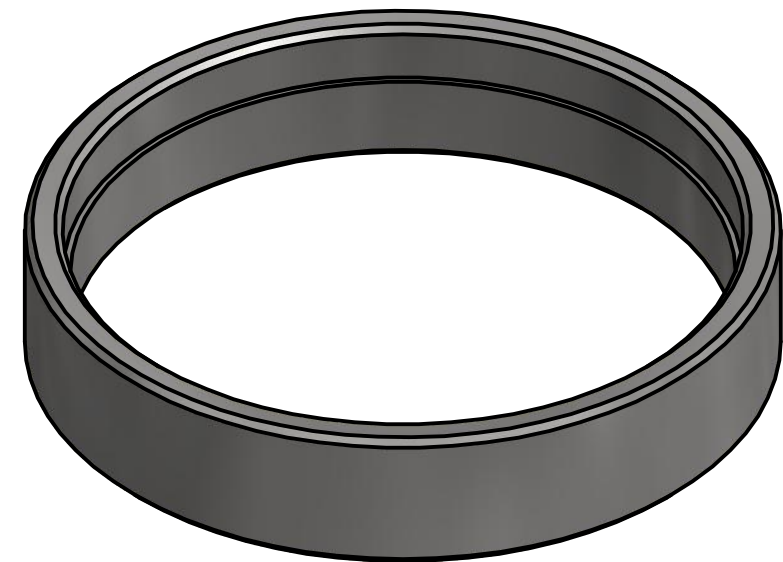
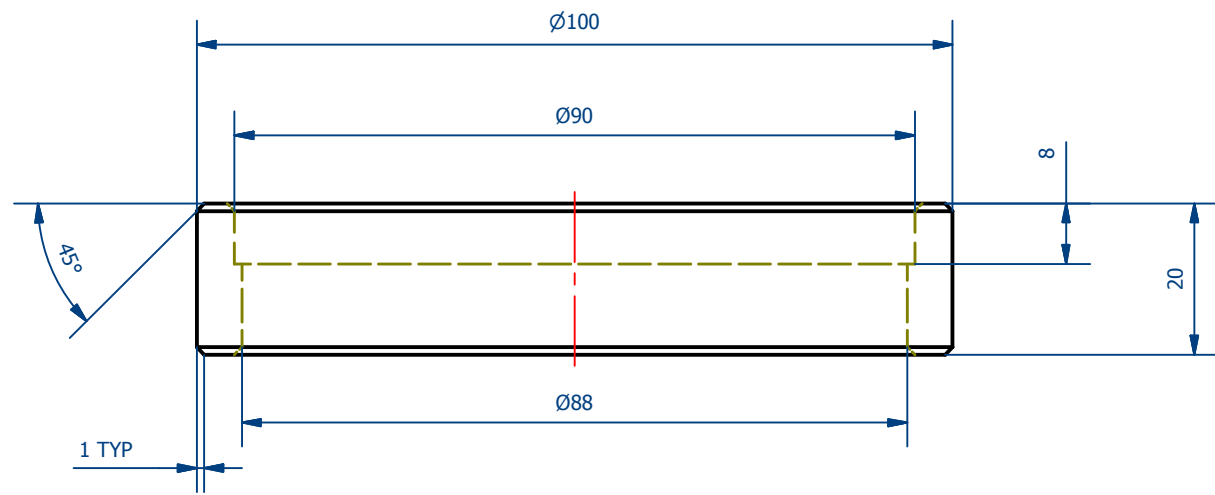


ITEM	QTY	PART NUMBER	DESCRIPTION
1	1	Base	Base
2	1	Valve Port Block	Valve Port Block
3	1	Vertical Cylinder	Cylinder Vert
4	2	M5 Shoulder Screw	M5 Socket Head Shoulder Screw
5	1	Flywheel Post	Flywheel Post
6	1	Flywheel Web	Flywheel Web
7	1	Flywheel Rim	Flywheel Rim
8	1	Cylidner Horizontal	Horizontal Cylinder
9	3	Piston	Piston
10	4	M5 x 8mm Socket Head Cap Screw	Hexagon Socket Head Cap Screw

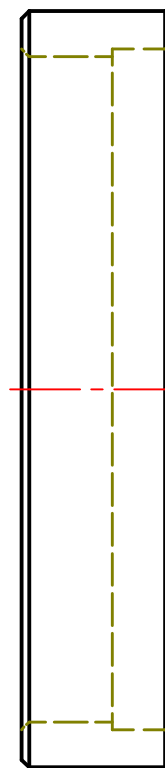
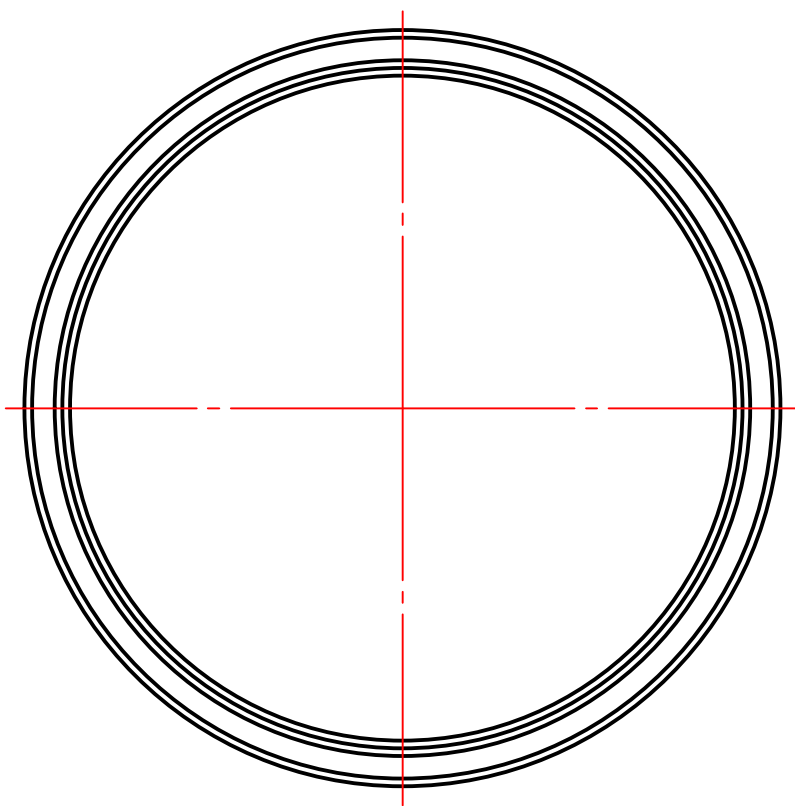


SECTION A-A
SCALE 2:1

All dimensions in mm unless otherwise stated	Designed by Autodesk	Mass 1.08 kg	Scale Not to Scale		Date 24/04/2014	Material
				Elbow Engine		
				Elbow Engine		Edition A Sheet 1 / 10



ISOMETRIC VIEW (1 : 1)



All dimensions in mm unless otherwise stated	Designed by Autodesk	Mass 0.26 kg	Scale Not to Scale		Date 24/04/2014	Material Stainless Steel
		Elbow Engine			Edition A	Sheet 2 / 10
				Flywheel Rim		

6 5 4 3 2 1

D

D

C

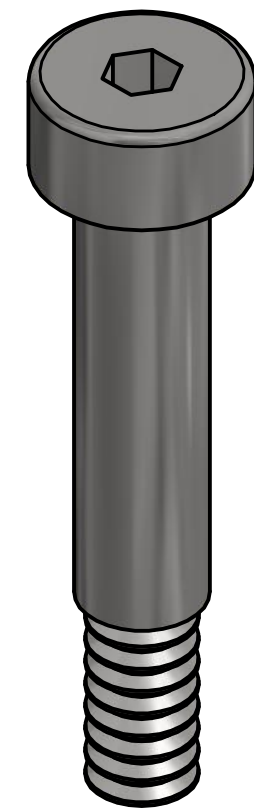
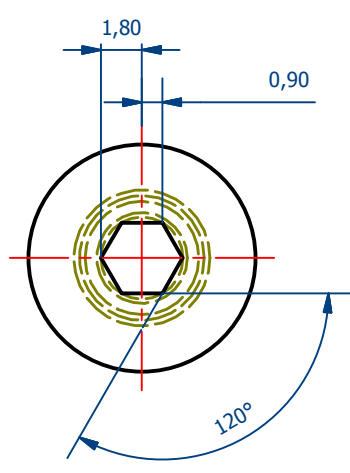
C

B

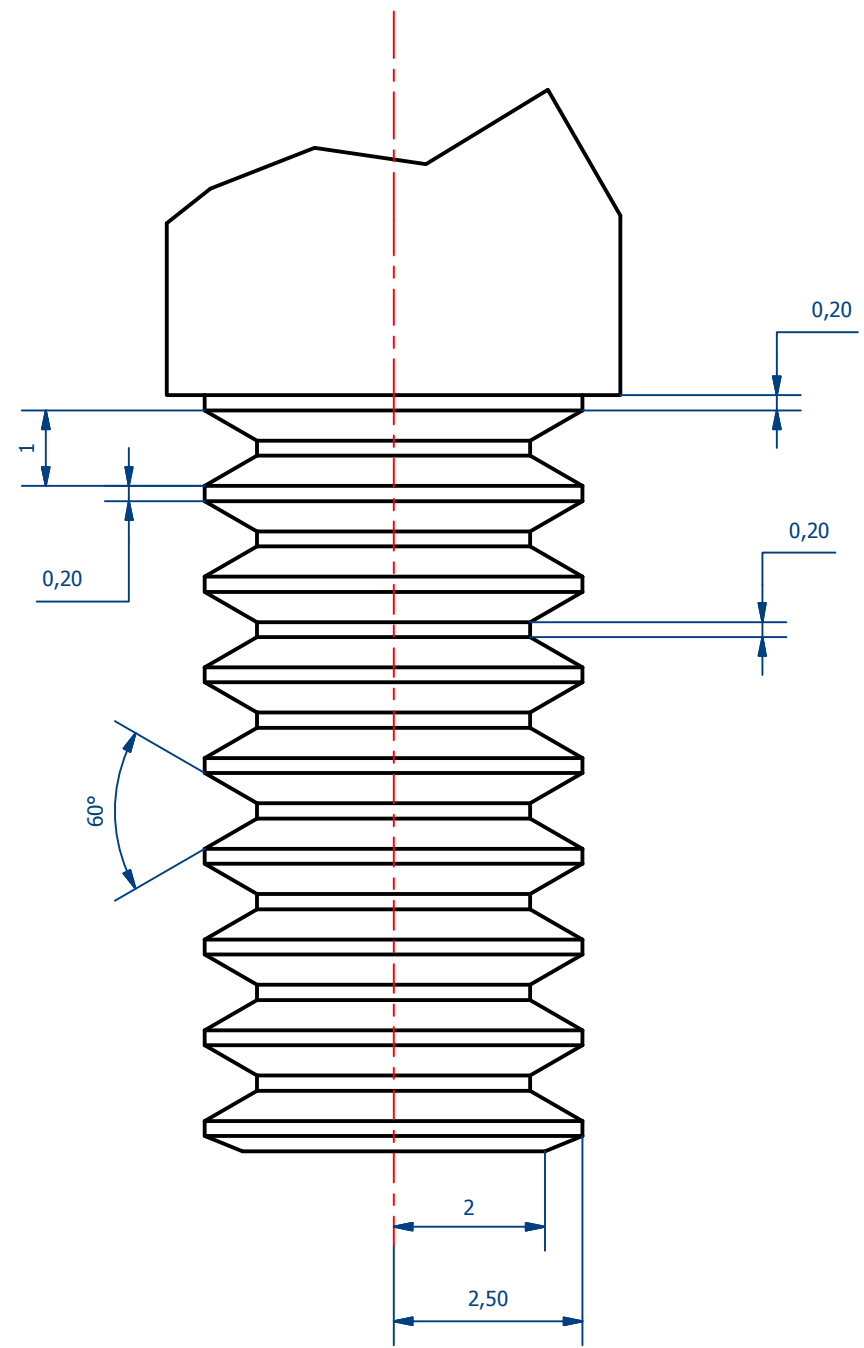
B

A

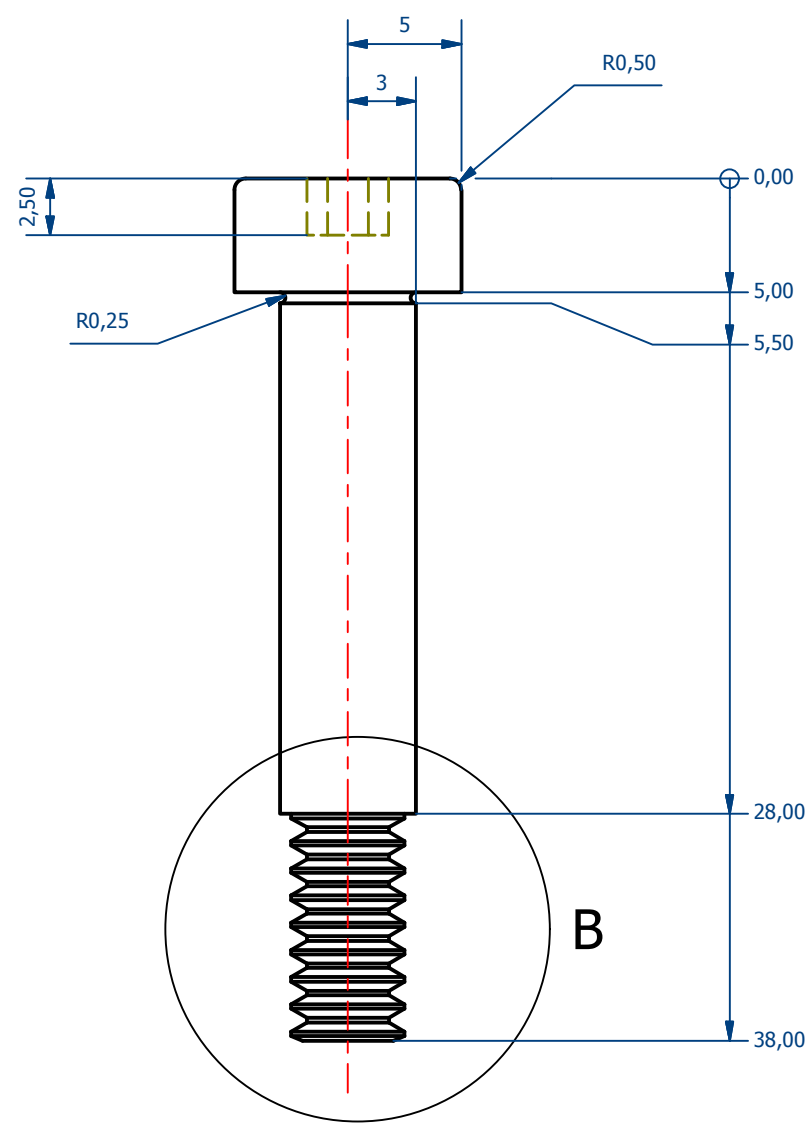
A



ISOMETRIC VIEW (3 : 1)



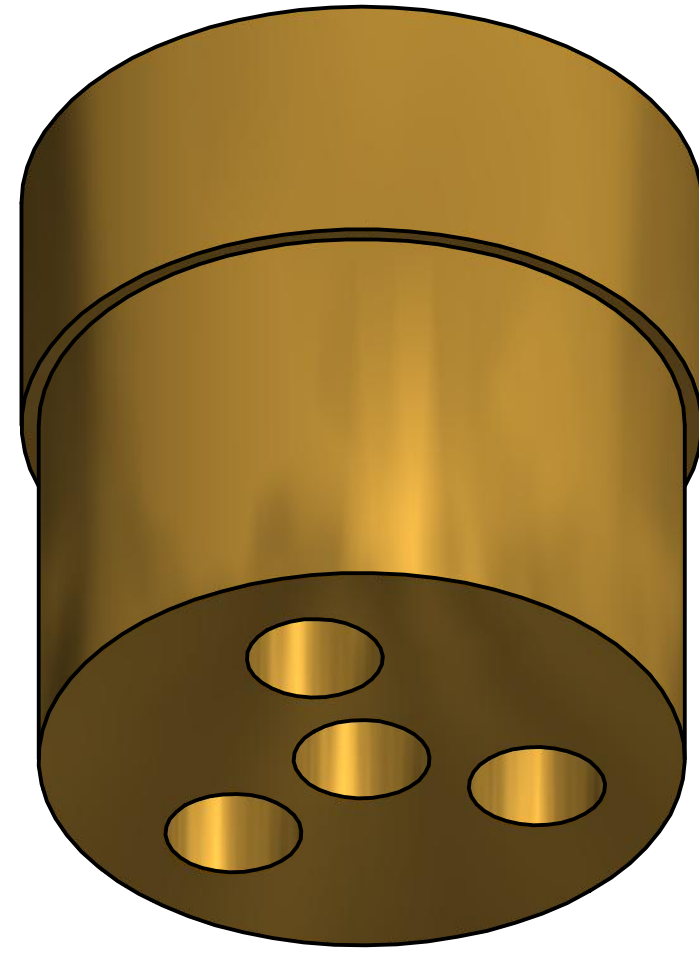
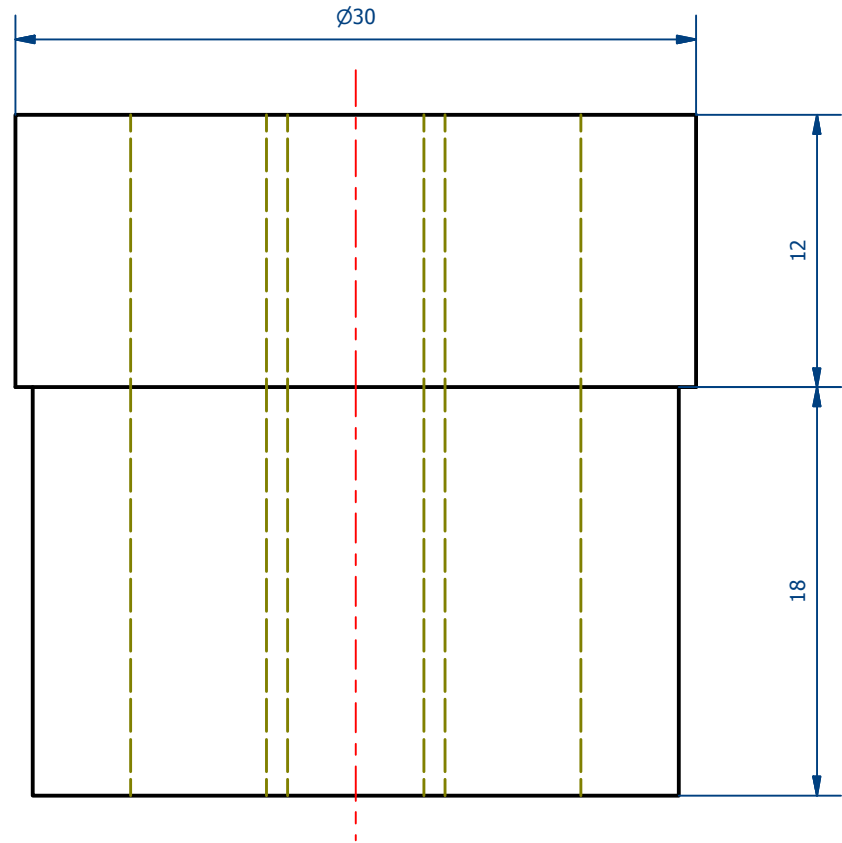
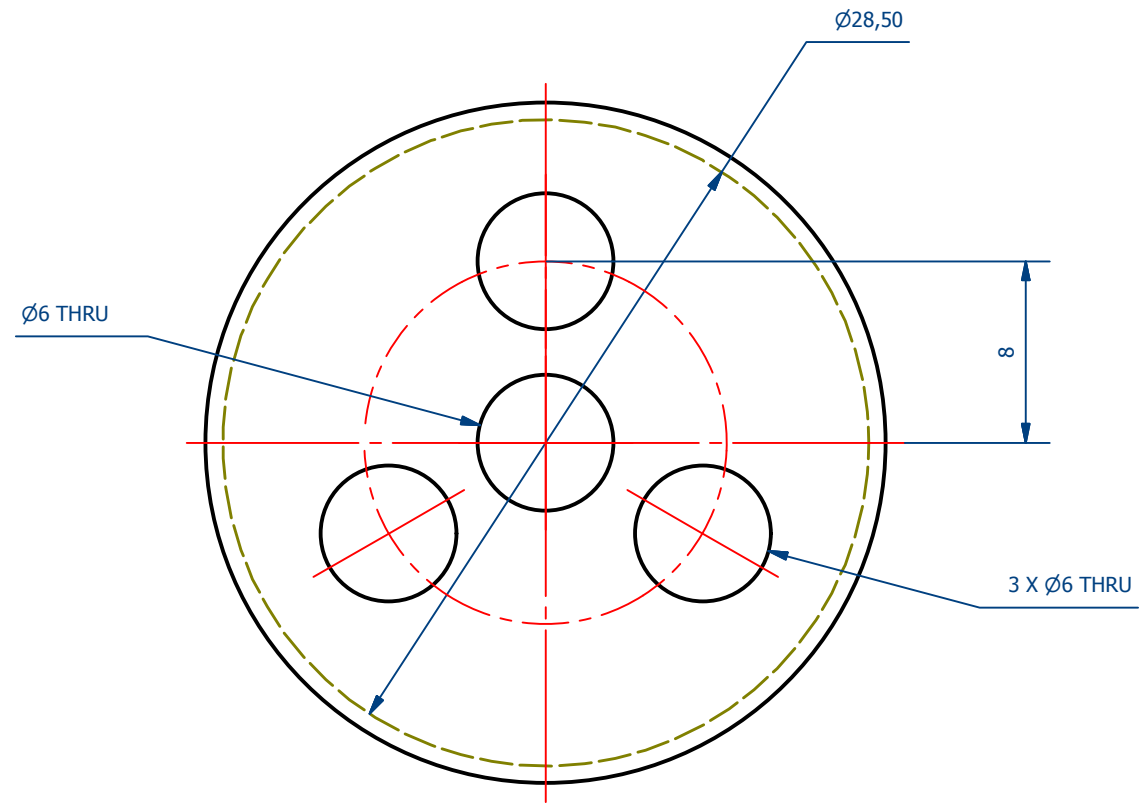
DETAIL VIEW B (10 : 1)



 world skills international	 AUTODESK	All dimensions in mm unless otherwise stated		Designed by Autodesk	Mass 0.01 kg	Scale Not to Scale		Date 24/04/2014	Material Stainless Steel
		Elbow Engine							Edition A

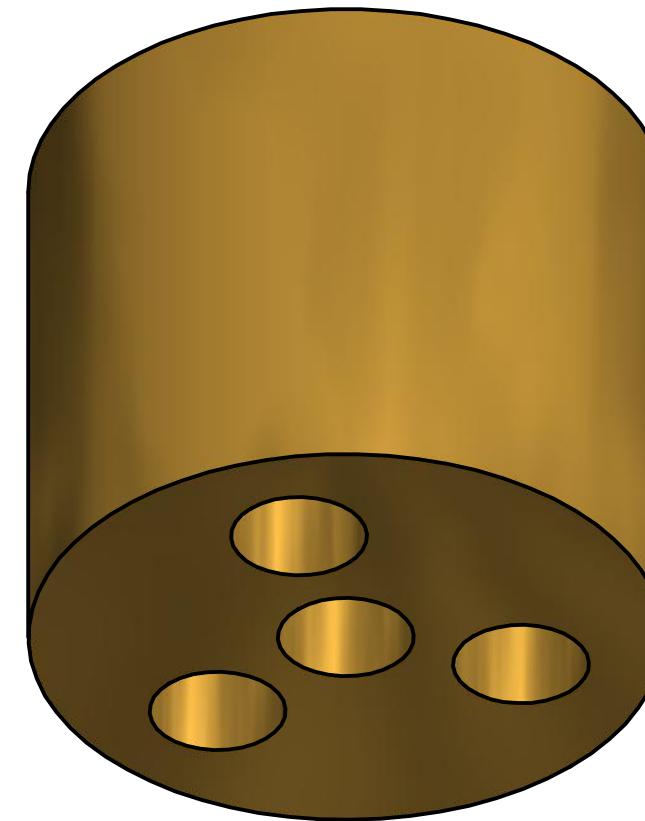
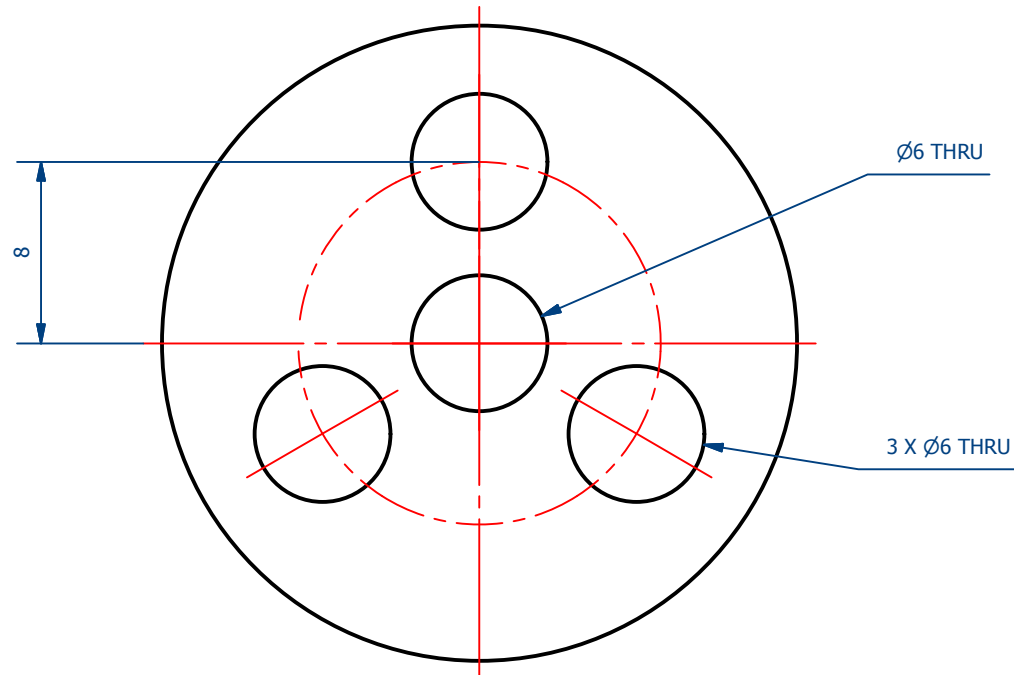
6 5 4 3 2 1



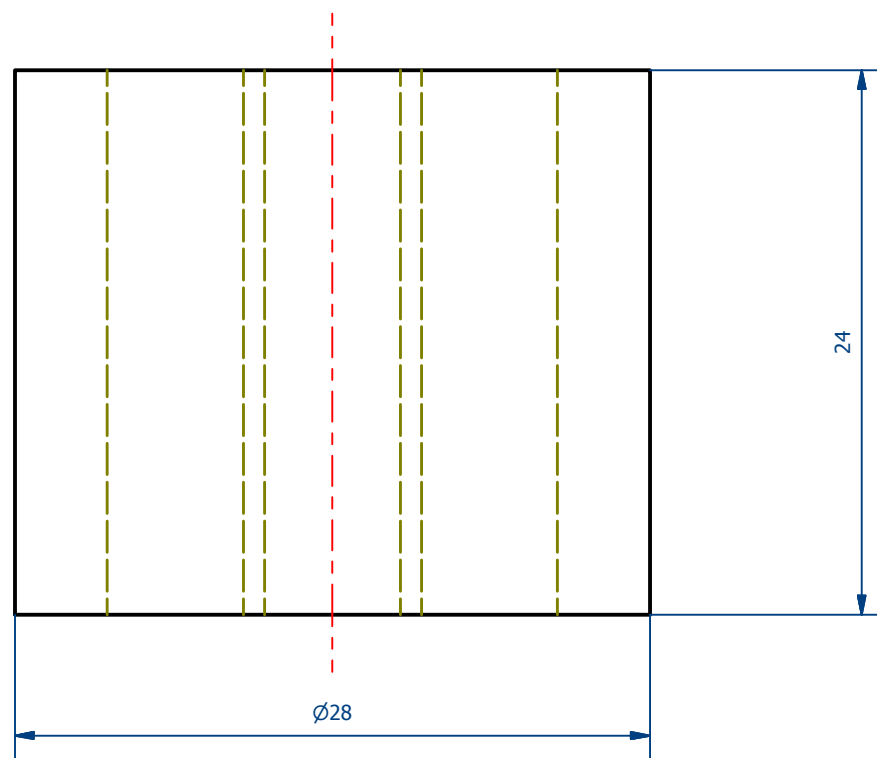


ISOMETRIC VIEW (3 : 1)

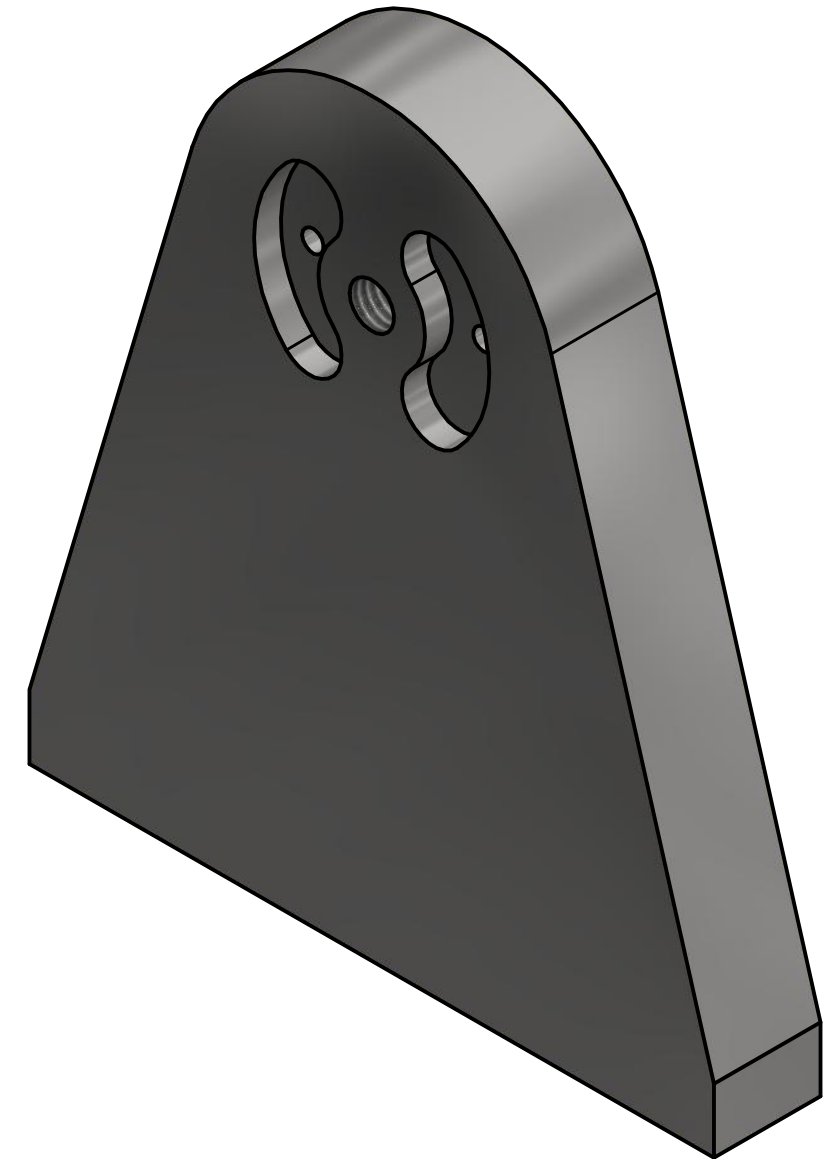
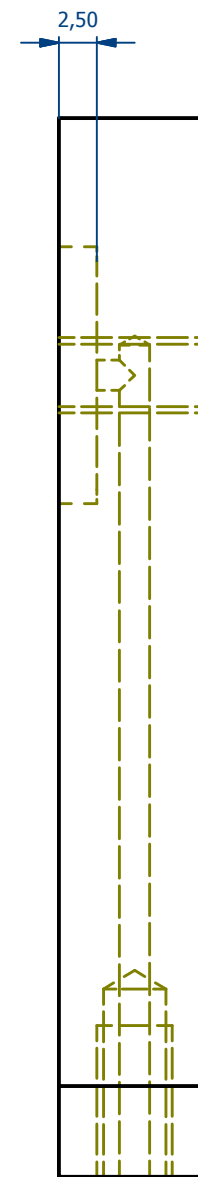
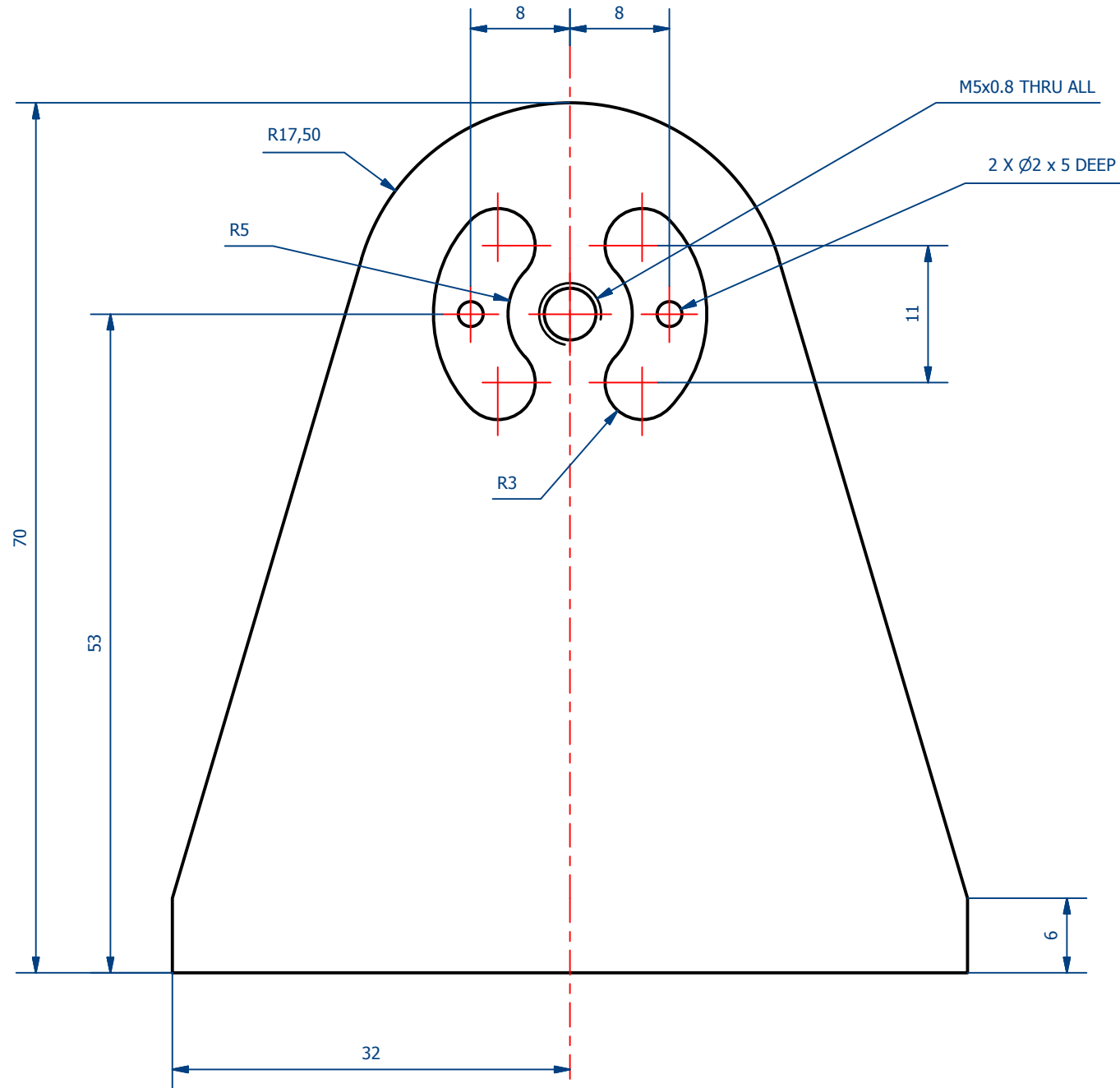
		All dimensions in mm unless otherwise stated	Designed by Autodesk	Mass 0.14 kg	Scale Not to Scale		Date 24/04/2014	Material Brass, Soft Yellow	Elbow Engine	
									Horizontal Cylinder	Edition A



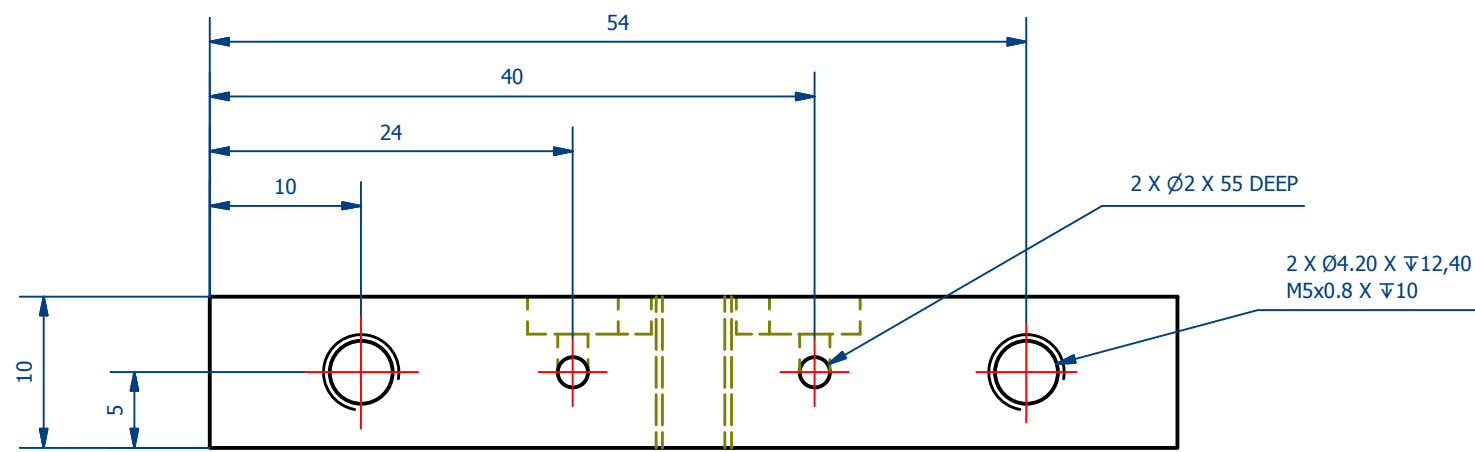
ISOMETRIC VIEW (3 : 1)



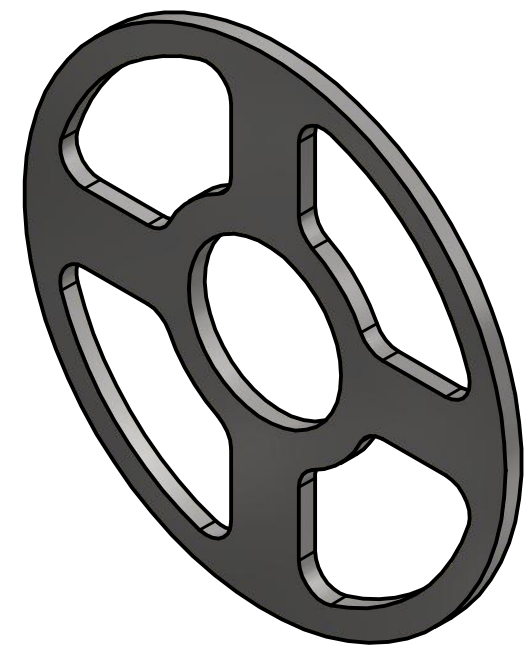
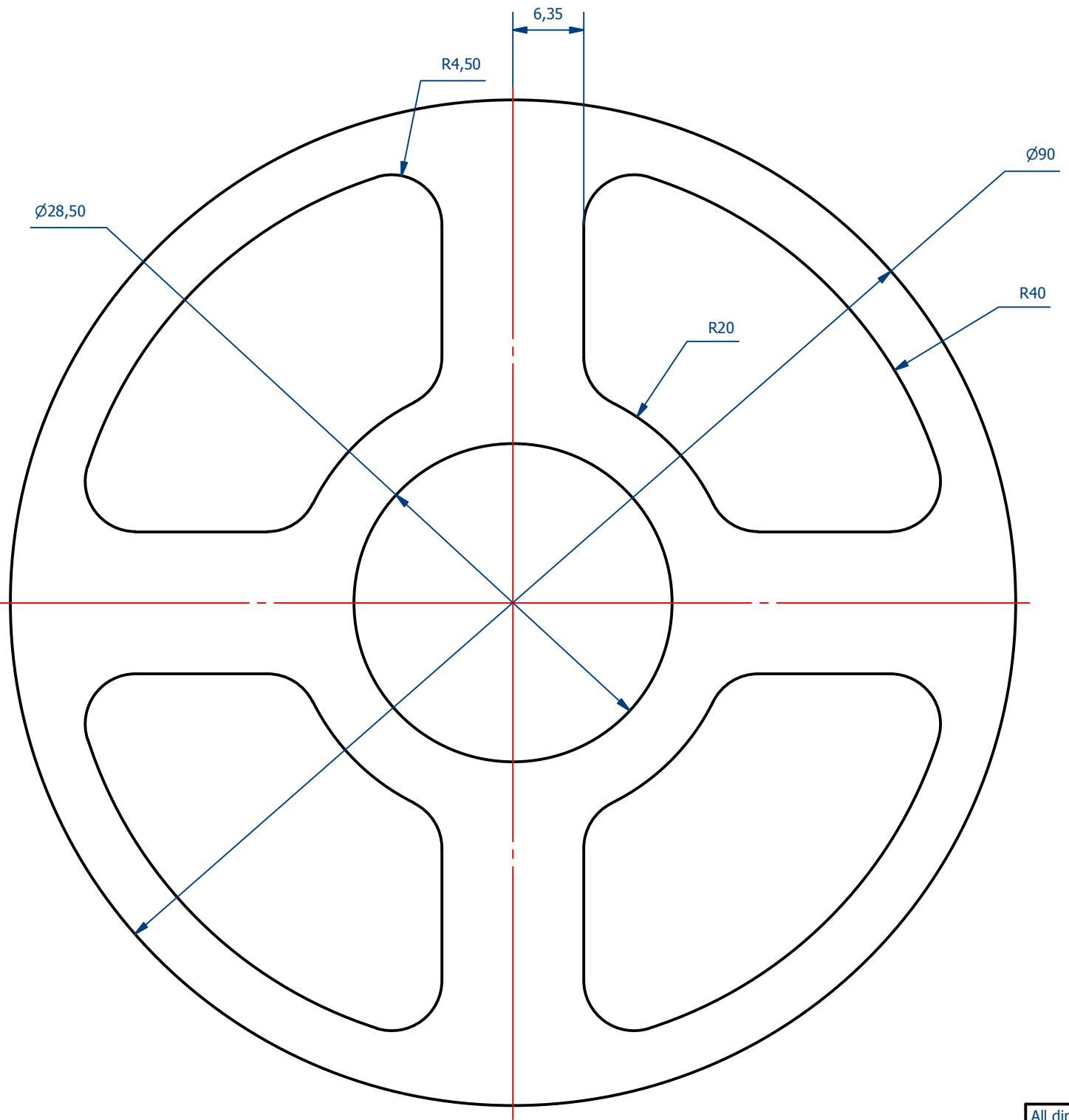
All dimensions in mm unless otherwise stated	Designed by Autodesk	Mass 0.10 kg	Scale Not to Scale		Date 24/04/2014	Material Brass, Soft Yellow
		Elbow Engine			Edition A	Sheet 5 / 10
				Cylinder Vert		



ISOMETRIC VIEW (2:1)

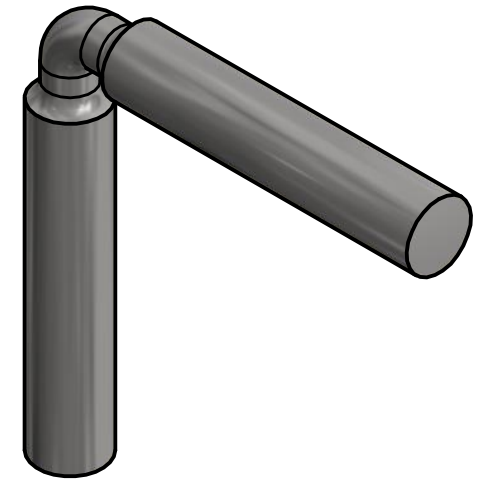
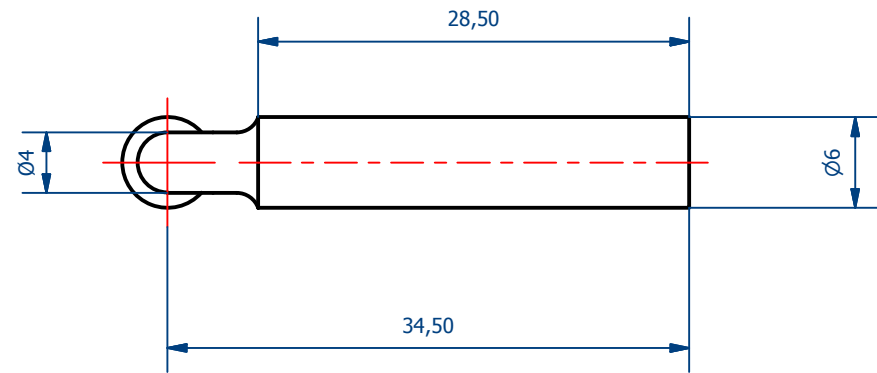


 world skills international	 AUTODESK	Mass 0.25 kg	Scale Not to Scale		Date 24/04/2014	Material Stainless Steel
					Elbow Engine	

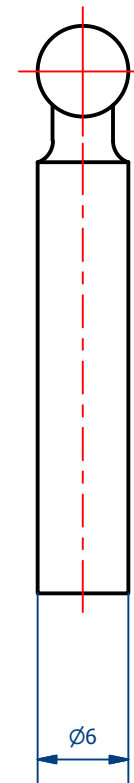
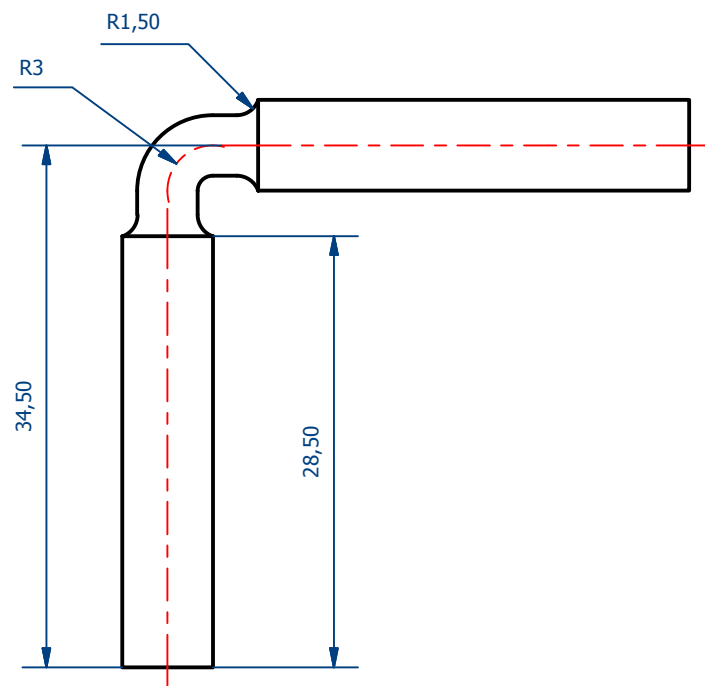


ISOMETRIC VIEW (1 : 1)

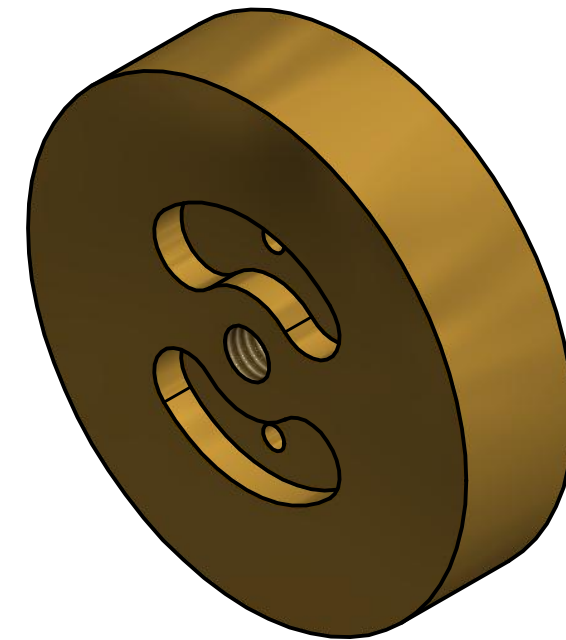
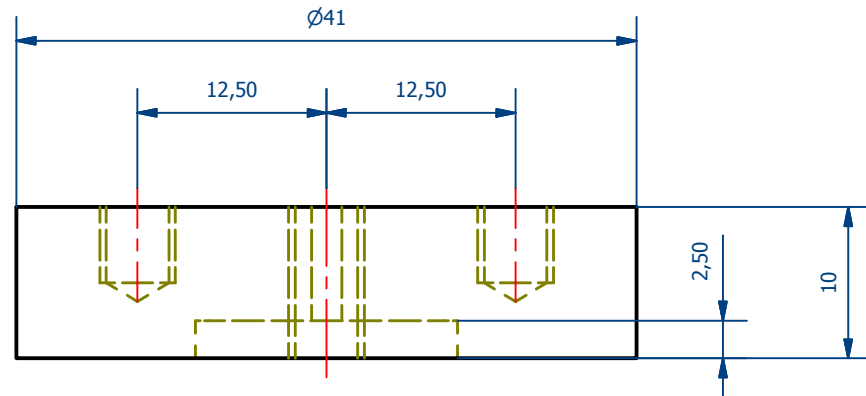
		All dimensions in mm unless otherwise stated	Designed by Autodesk	Mass 0.07 kg	Scale Not to Scale		Date 24/04/2014	Material Stainless Steel
			Elbow Engine				Edition A	Sheet 7 / 10



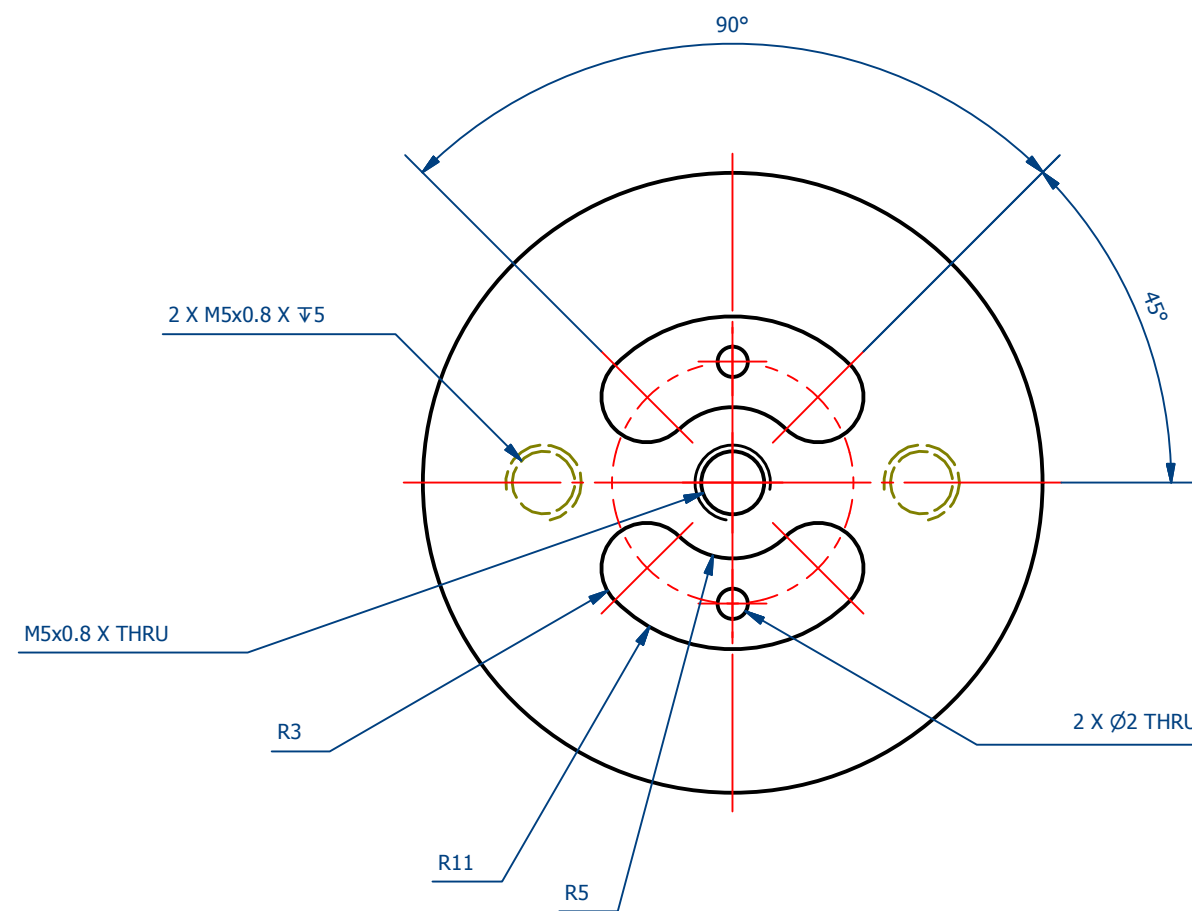
ISOMETRIC VIEW (2 : 1)



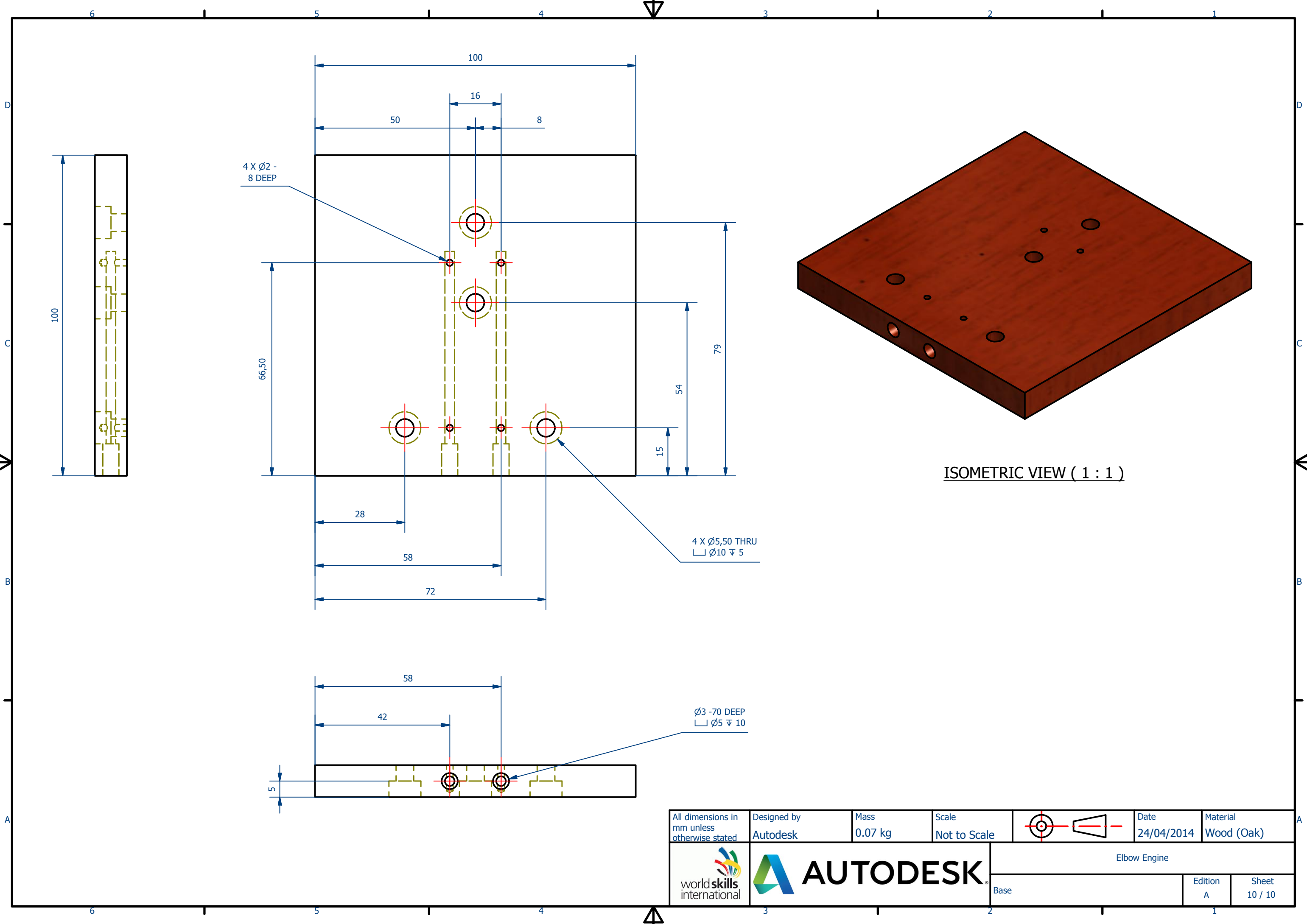
All dimensions in mm unless otherwise stated	Designed by Autodesk	Mass 0.01 kg	Scale Not to Scale		Date 24/04/2014	Material Stainless Steel	
		Elbow Engine				Edition A	Sheet 8 / 10
						Piston	



ISOMETRIC VIEW (2 : 1)



 world skills international	 AUTODESK	All dimensions in mm unless otherwise stated		Designed by Autodesk	Mass 0.10 kg	Scale Not to Scale		Date 24/04/2014	Material Brass, Soft Yellow
		Elbow Engine							Edition A



4 X Ø2 -
8 DEEP

4 X Ø5,50 THRU
└─┘ Ø10 ▽ 5

Ø3 -70 DEEP
└─┘ Ø5 ▽ 10

ISOMETRIC VIEW (1 : 1)

		All dimensions in mm unless otherwise stated		Designed by Autodesk	Mass 0.07 kg	Scale Not to Scale		Date 24/04/2014	Material Wood (Oak)
		Elbow Engine							Edition A