

1. Depth attachment_Machined
2. Mitutoyo 6" Absolute Caliper
3. Thumb screw x2_Machined



PROJECT

IMTS-EDU

TITLE

Caliper Depth Attachment Assm

APPROVED

CHECKED

DRAWN Tim Paul

8/19/22

SIZE

A

CODE

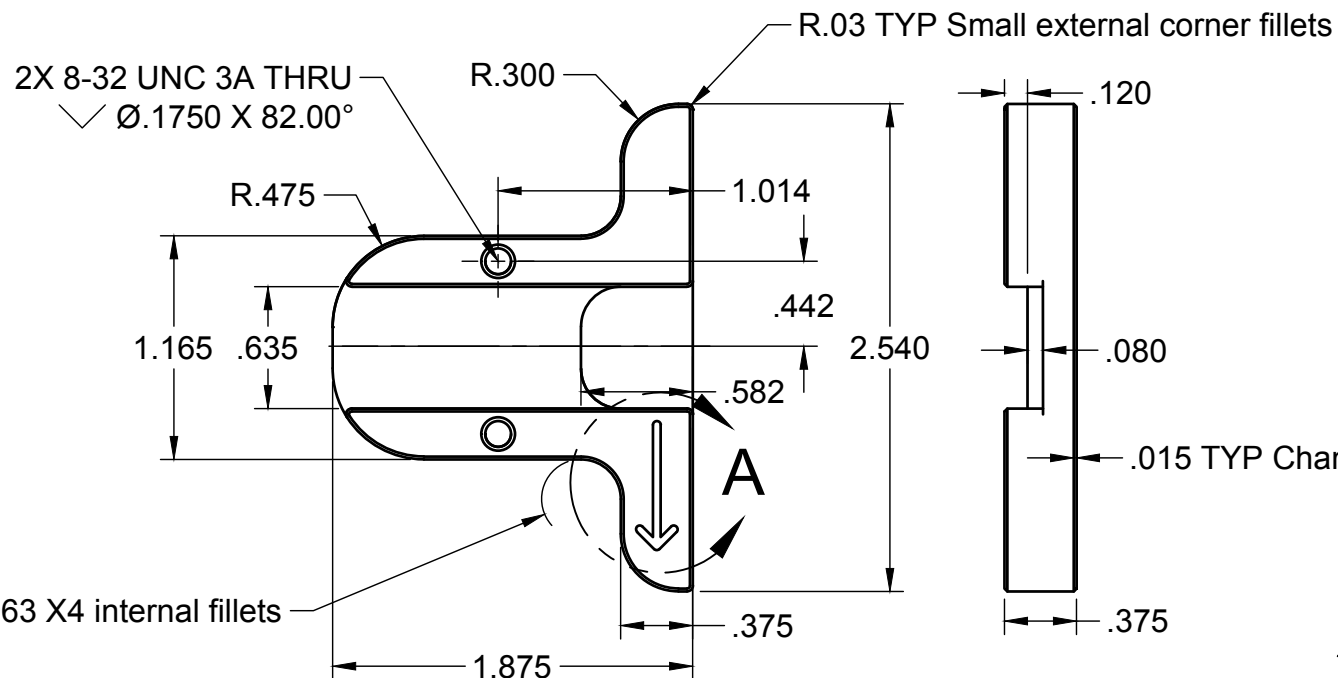
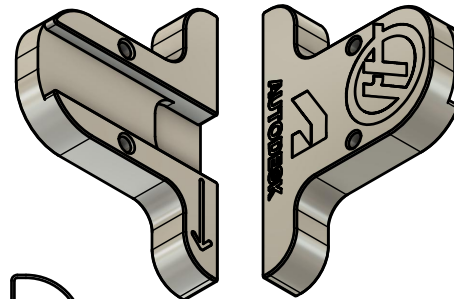
DWG NO

SCALE 1:4

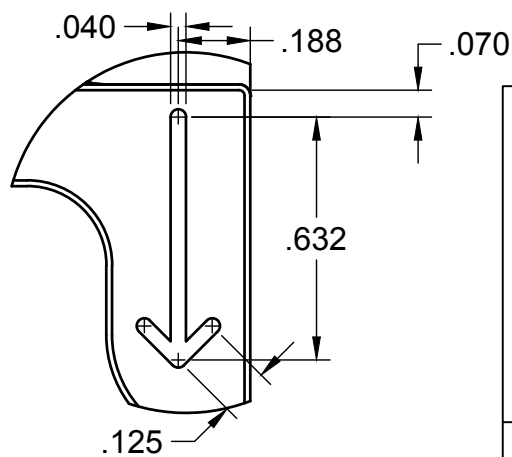
WEIGHT

REV


SHEET 1/3



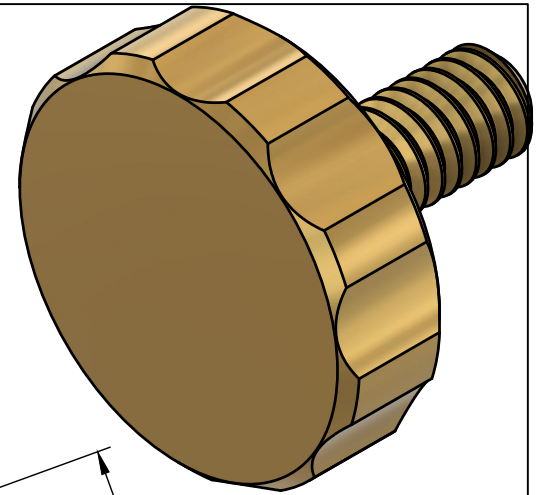
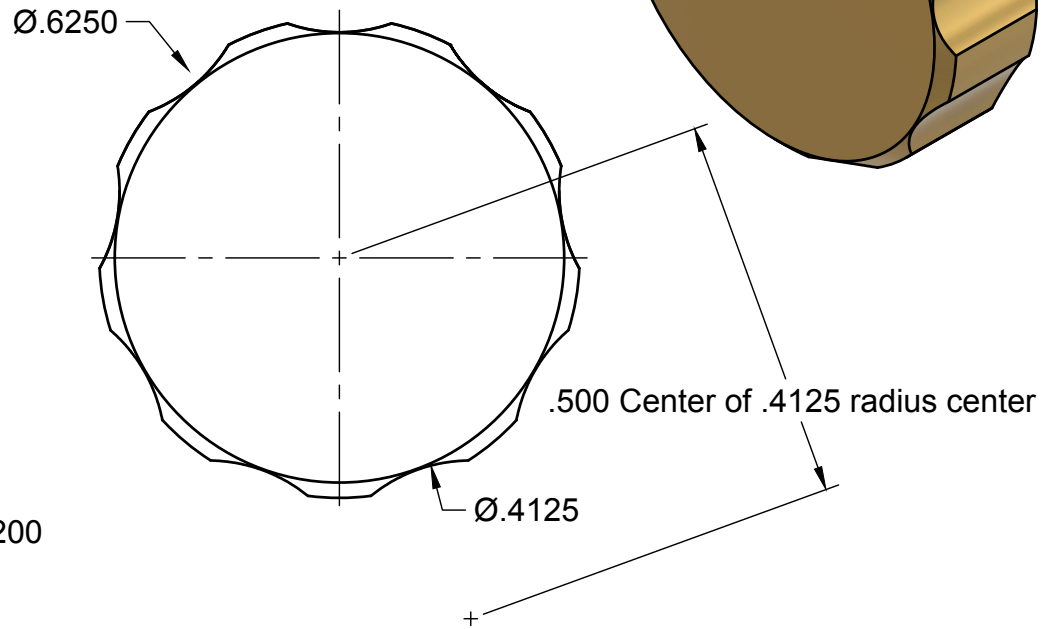
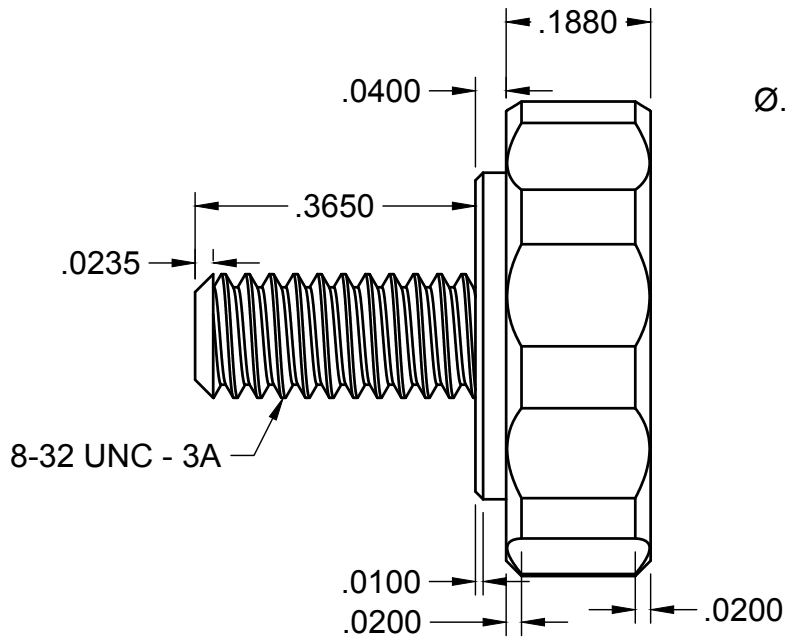
All engraving .001-.002 deep.
 Adjust to insure lines don't bleed together




DETAIL A
SCALE 2:1

 AUTODESK		PROJECT			
		IMTS-EDU			
		TITLE			
		Caliper Depth Attachment Base			
APPROVED	SIZE	CODE	DWG NO	REV	
CHECKED	A				
DRAWN Tim Paul	8/19/22	SCALE 1:5	WEIGHT	SHEET 2/3	





 AUTODESK	PROJECT			
	IMTS-EDU			
TITLE				
Depth Attachment Thumb Screw				
APPROVED	SIZE	CODE	DWG NO	REV
CHECKED	A			
DRAWN Tim Paul	8/19/22	SCALE 1:1	WEIGHT	SHEET 3/3